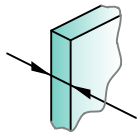
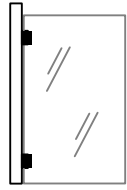
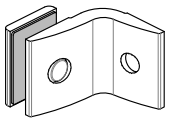
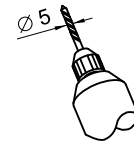


SHOWER BOXES

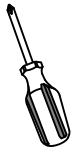
4414



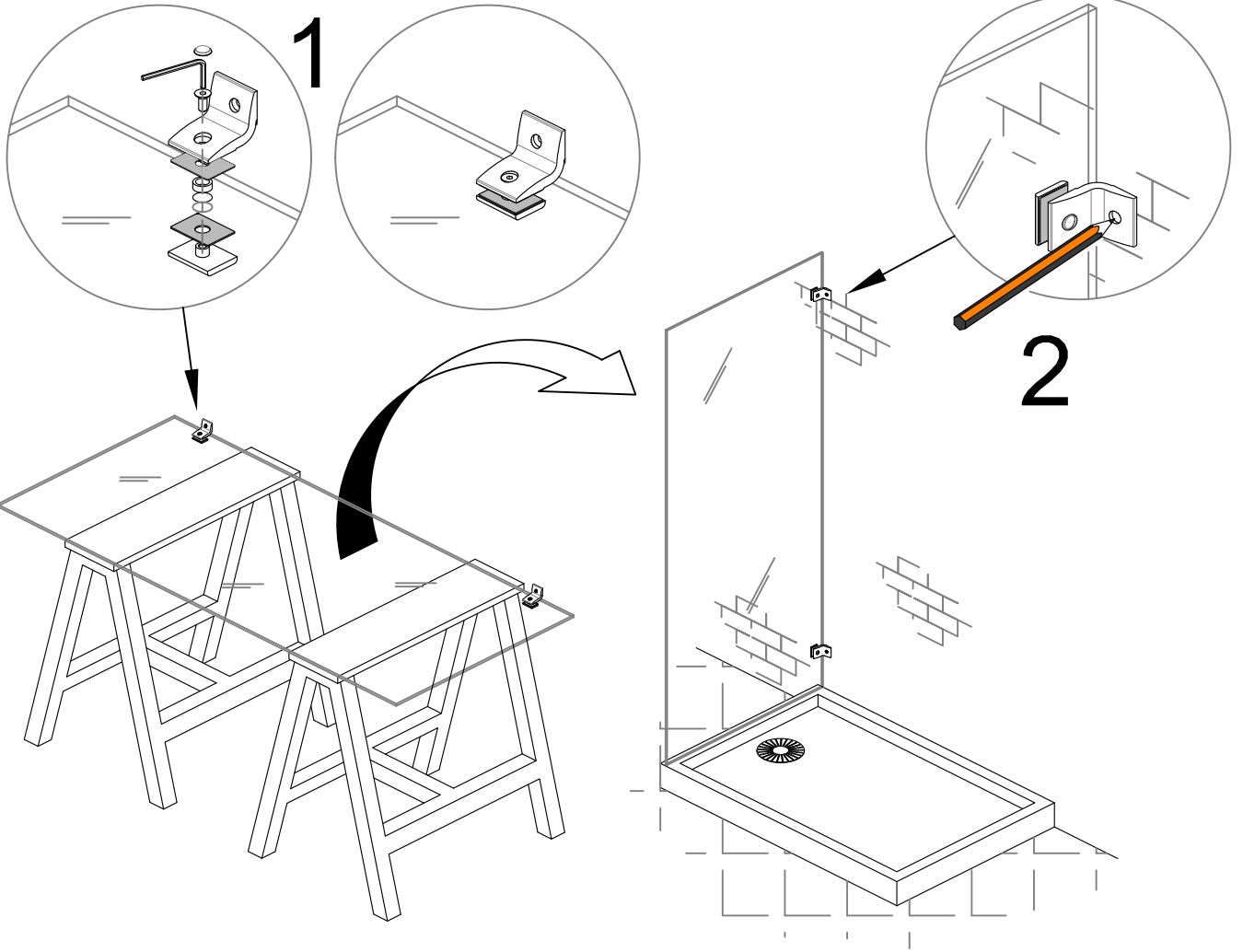
6-8-10
GLASS



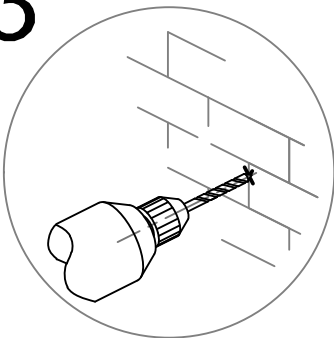
1 x



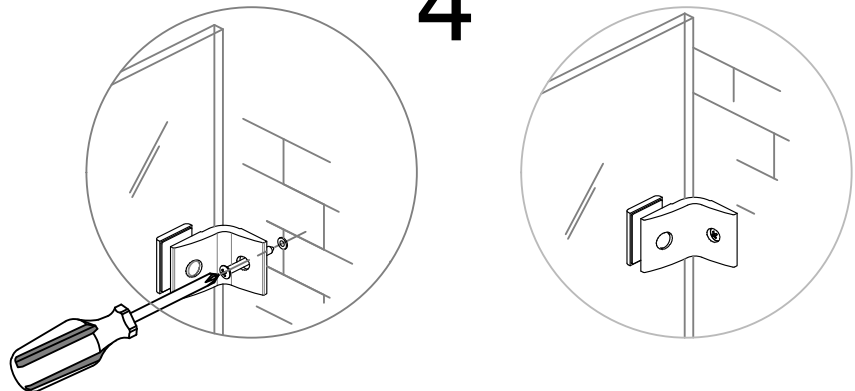
Tools required



3

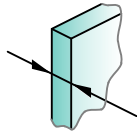
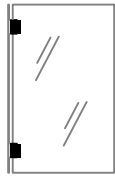
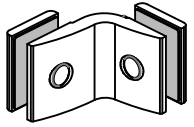


4



SHOWER BOXES

4415

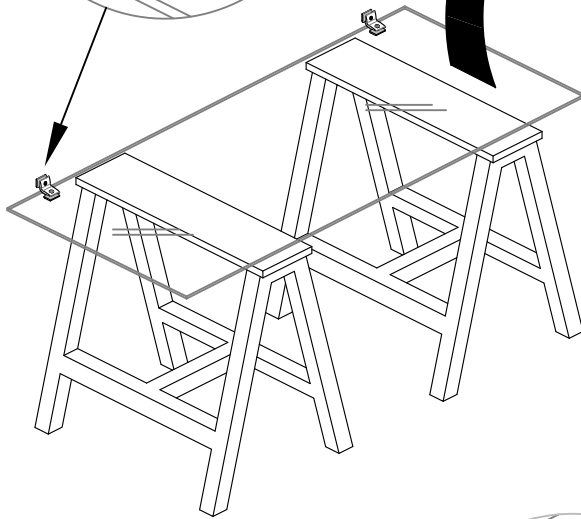
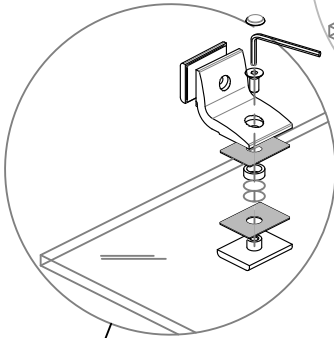
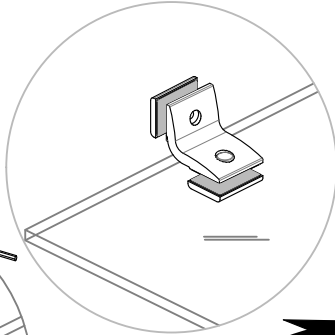


6-8-10
GLASS

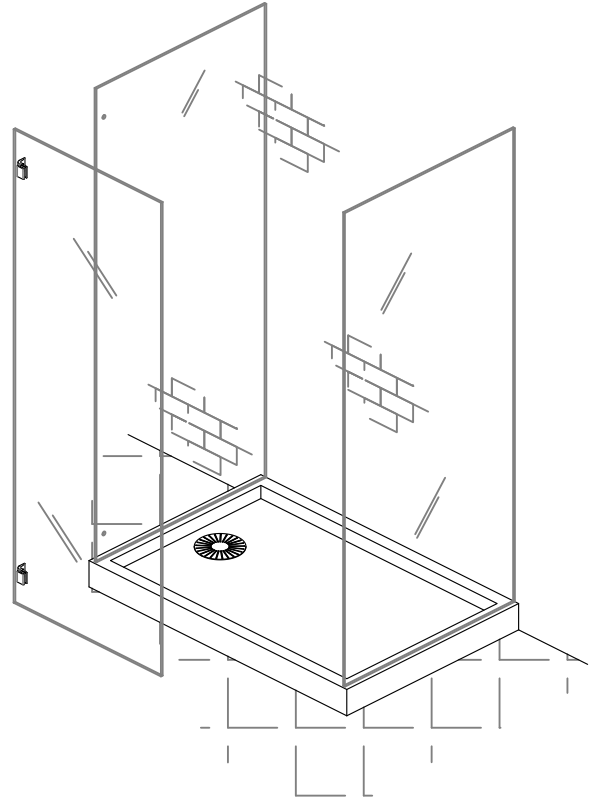
Tools required



1



2



3

